

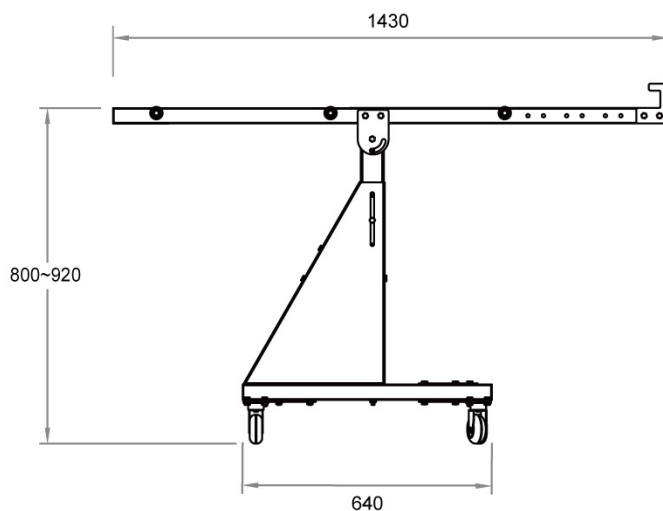
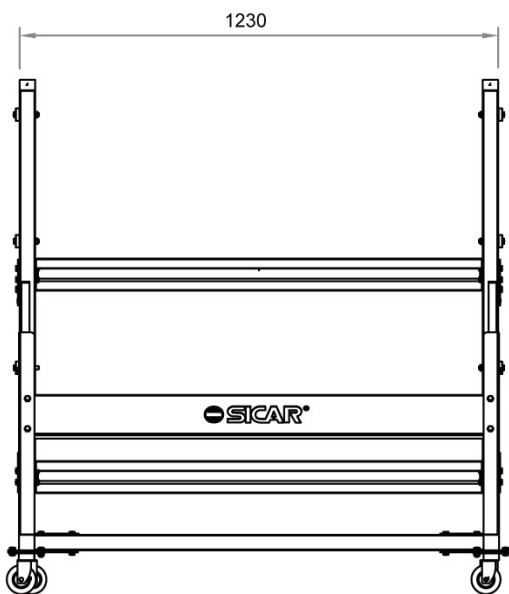
## Board Trolley BT1214

Transport Logistics Truck / MDF Spraying Body Panel Carrier



Board Trolley	BT1214
Minimum table height	920 mm
Maximum table height	800 mm
Maximum board size	2750x30x1840 mm
Maximum capacity	150 KG
Brake swivel Caster	D. 75 / D.100 mm
Overall size	1430x1250x1700 mm
Packing size	1500x480x110 mm
NW./GW.	50/52 KG

- \* Board trolley BT1214 is made to assist the day-to-day tasks of the demanding woodworker.
- \* Designed to last, the metal structure and 4 wheels allows anyone to easily carry 2 full sheets of wood at once.
- \* It has adjustable height making it easy to work in conjunction with virtually any woodworking equipment you have such as panel saws and table saws.
- \* With a carrying capacity of up to 150KG, this will help you increase productivity and reduce injuries from carrying heavy loads.



#### Transport and Installation

- \* By ergonomic issues, It is recommended that at least two people work together to carry/move.
- \* For packaging purposes, the machine is not fully assembled.
- \* If you notice any damage caused by transportation, while you open the package, notify your supplier immediately. Do not operate the machine.



Meas.: 1500x480x110 mm

NW./GW.: 50/52 KG



Qingdao Jiakemu Machinery Manufacture co.,ltd

📍 Tianshan 2Rd Tongji-District Jimo Qingdao City China 266200

✉ Email: info@sicarwood.com Jiakemu@163.com

🌐 Website: www.sicarwood.com www.jiakemu.com

☎ WhatsApp Facebook +86 15063045902 +86 13553051579

Version [V202506]